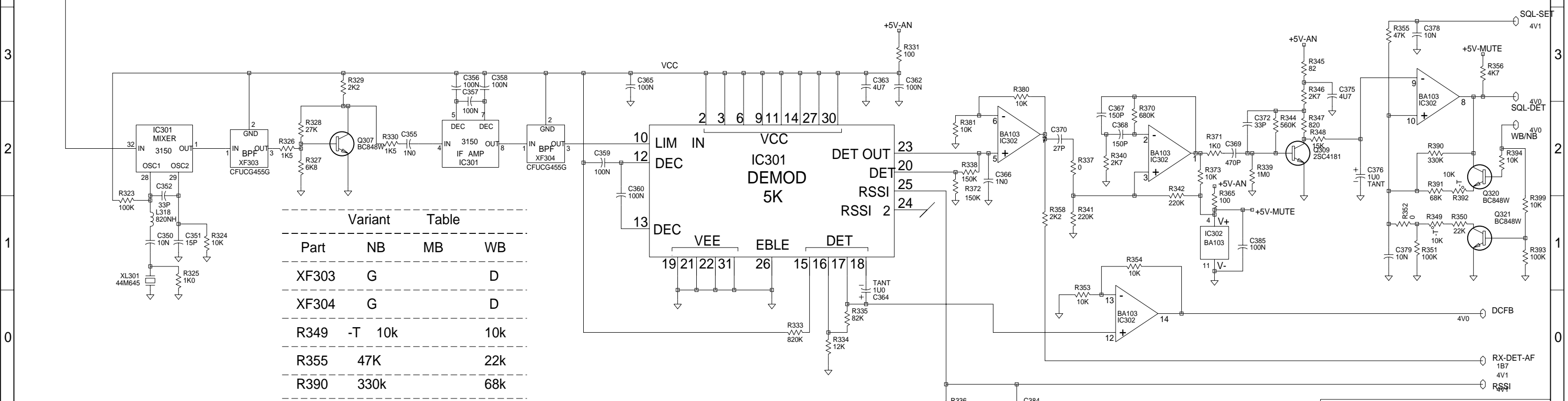
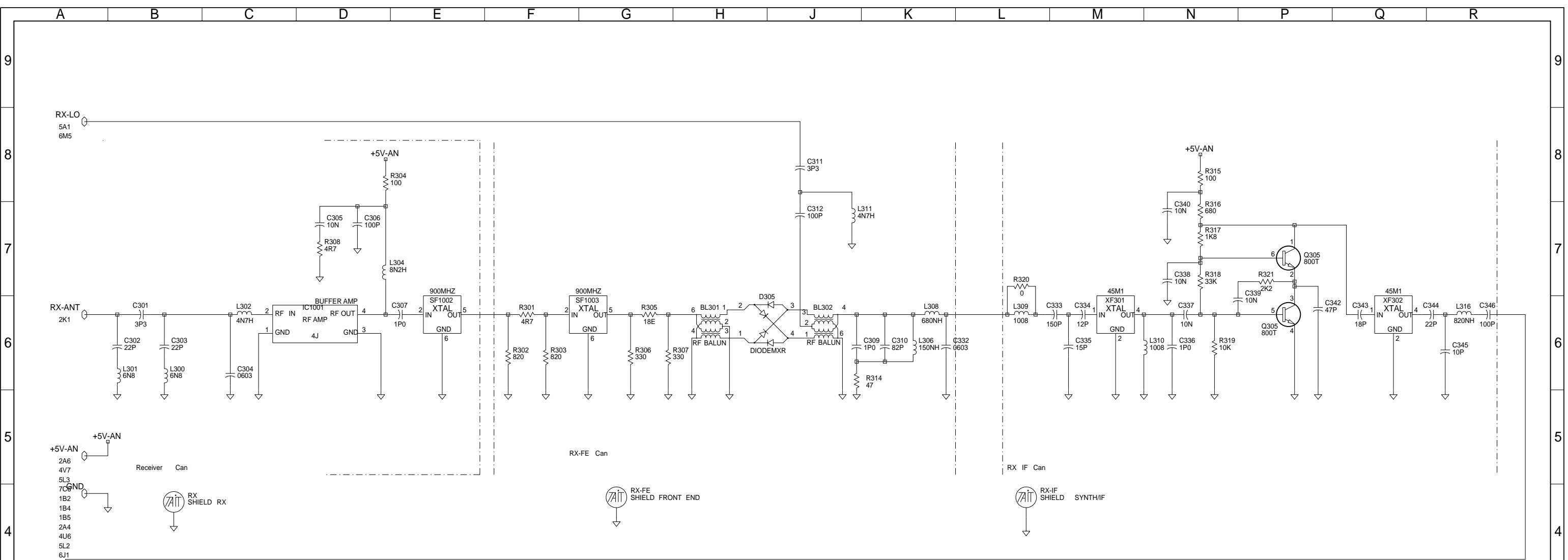


L121 L122 L123 150n 1008

© TAIT ELECTRONICS	
ORCA :TOP- POWER AMPLIFIER	900MHZ
IPN: 220-01610-01	ISSUE: A
DESIGNER: ORCA	FILE DATE: 16/07/99
PROJECT: BRD	NO. SHEETS: 7

REV/ISS	AMENDMENTS	DRAWN	CHKD	D.O.	APVD	DATE
A						

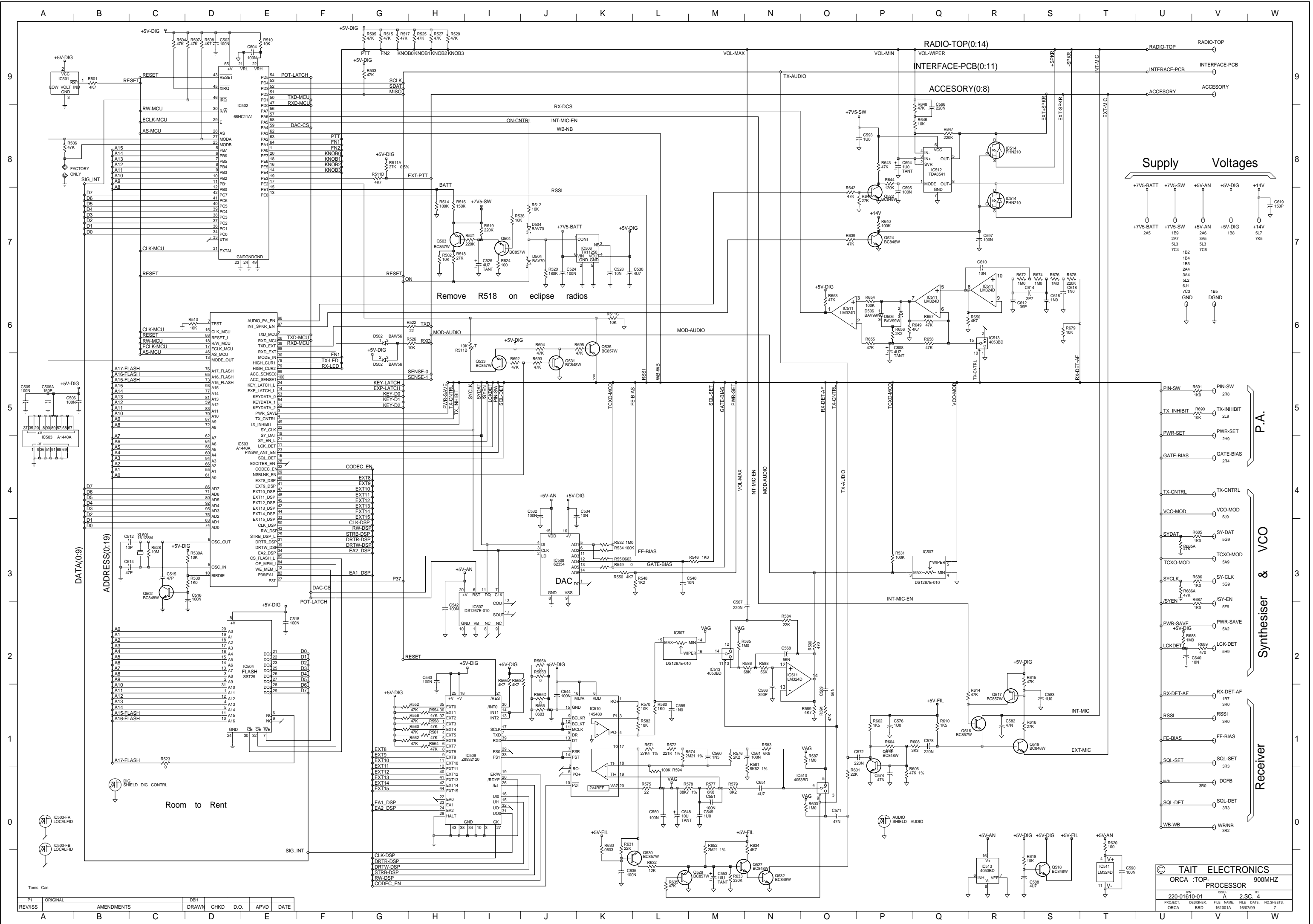


Variant Table

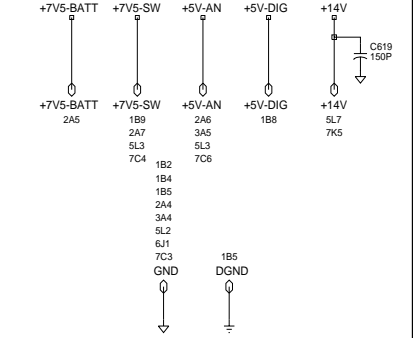
Part	NB	MB	WB
XF303	G		D
XF304	G		D
R349	-T 10k		10k
R355	47K		22k
R390	330k		68k
C370	27p		22P
C369	470p		330P

© TAIT ELECTRONICS  
 ORCA :TOP- 900MHZ  
 RECEIVER  
 IPN: 220-01610-01  
 ISSUE: A  
 ID: 2.S.C. 3  
 PROJECT: ORCA BRD  
 DESIGNER: 161001A  
 FILE NAME: 16/07/99  
 FILE DATE: NO.SHEETS: 7

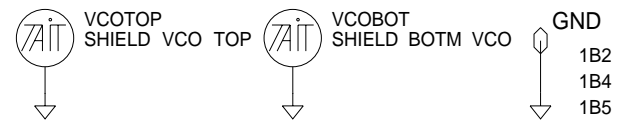
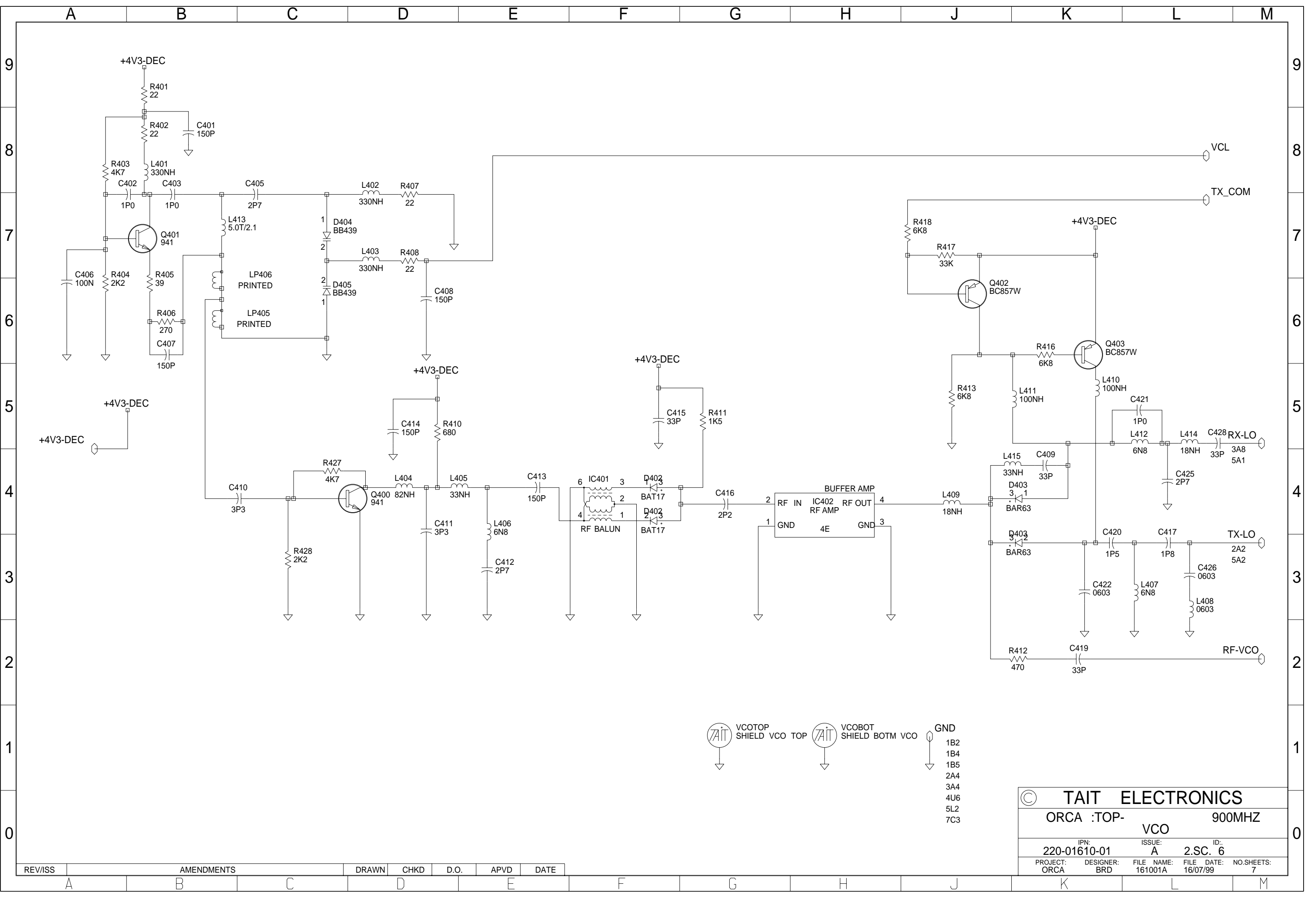
REV/ISS	AMENDMENTS	DRAWN	CHKD	D.O.	APVD	DATE
A						



**Supply Voltages**



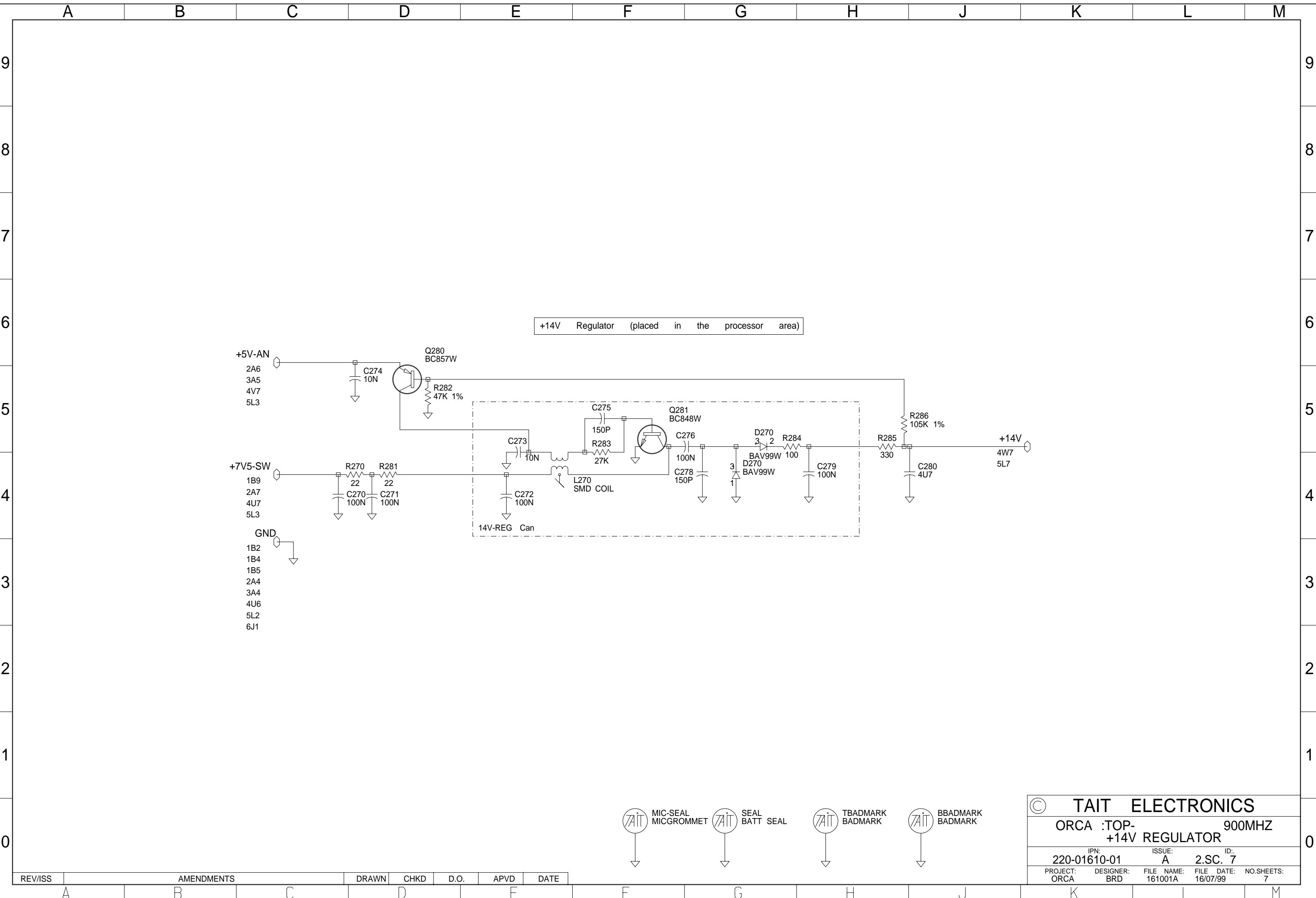




- 1B2
- 1B4
- 1B5
- 2A4
- 3A4
- 4U6
- 5L2
- 7C3

© TAIT ELECTRONICS		
ORCA :TOP-	VCO	900MHZ
IPN: 220-01610-01	ISSUE: A	ID: 2.SC. 6
PROJECT: ORCA	DESIGNER: BRD	FILE NAME: 161001A
		FILE DATE: 16/07/99
		NO.SHEETS: 7

REV/ISS	AMENDMENTS	DRAWN	CHKD	D.O.	APVD	DATE







+14V Regulator (placed in the processor area)

+5V-AN  
2A6  
3A5  
4V7  
5L3

+7V5-SW  
1B9  
2A7  
4U7  
5L3

GND  
1B2  
1B4  
1B5  
2A4  
3A4  
4U6  
5L2  
6J1

© TAIT ELECTRONICS				
ORCA :TOP-		900MHZ		
+14V REGULATOR				
IPN:	ISSUE:	ID:		
220-01610-01	A	2.SC. 7		
PROJECT:	DESIGNER:	FILE NAME:	FILE DATE:	NO.SHEETS:
ORCA	BRD	161001A	16/07/99	7

-   
 MIC-SEAL  
MICGROMMET
-   
 SEAL  
BATT SEAL
-   
 TBADMARK  
BADMARK
-   
 BBADMARK  
BADMARK

REV/ISS	AMENDMENTS	DRAWN	CHKD	D.O.	APVD	DATE
---------	------------	-------	------	------	------	------